

4

3

2

1

NOTES:

1 HEART RATE WIRE HARNESS IS NOT FIELD REPLACEABLE, ORDER 37.

PRODUCT:
EFX200-14, MVG ARMS, MAN RAMP



DRWN BY	6/23/14	WDC	SIZE	PAGE
CS	6/10/14	BG	A	1 OF 4

DWG. NO.
303231-101

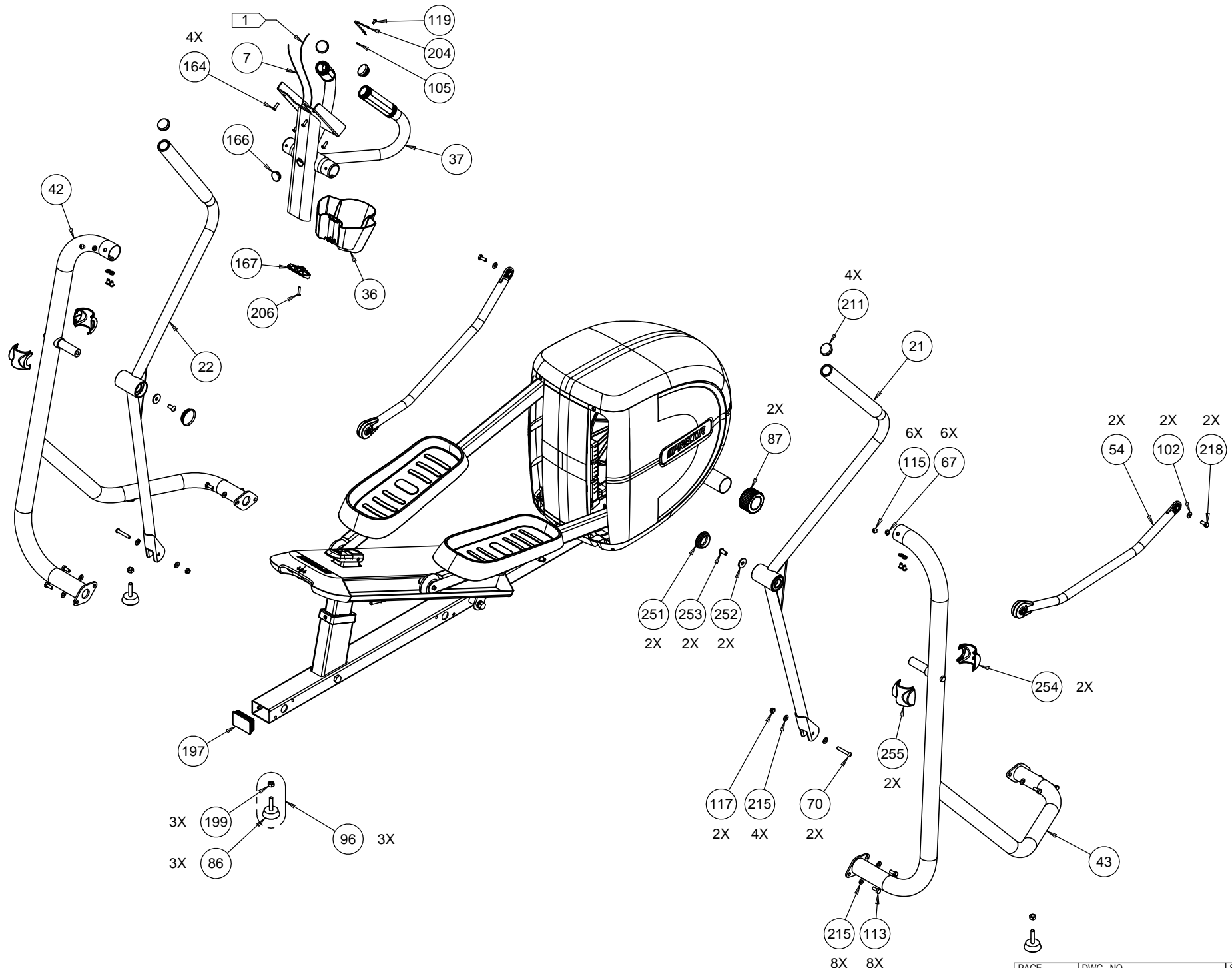
SUBREV
A01

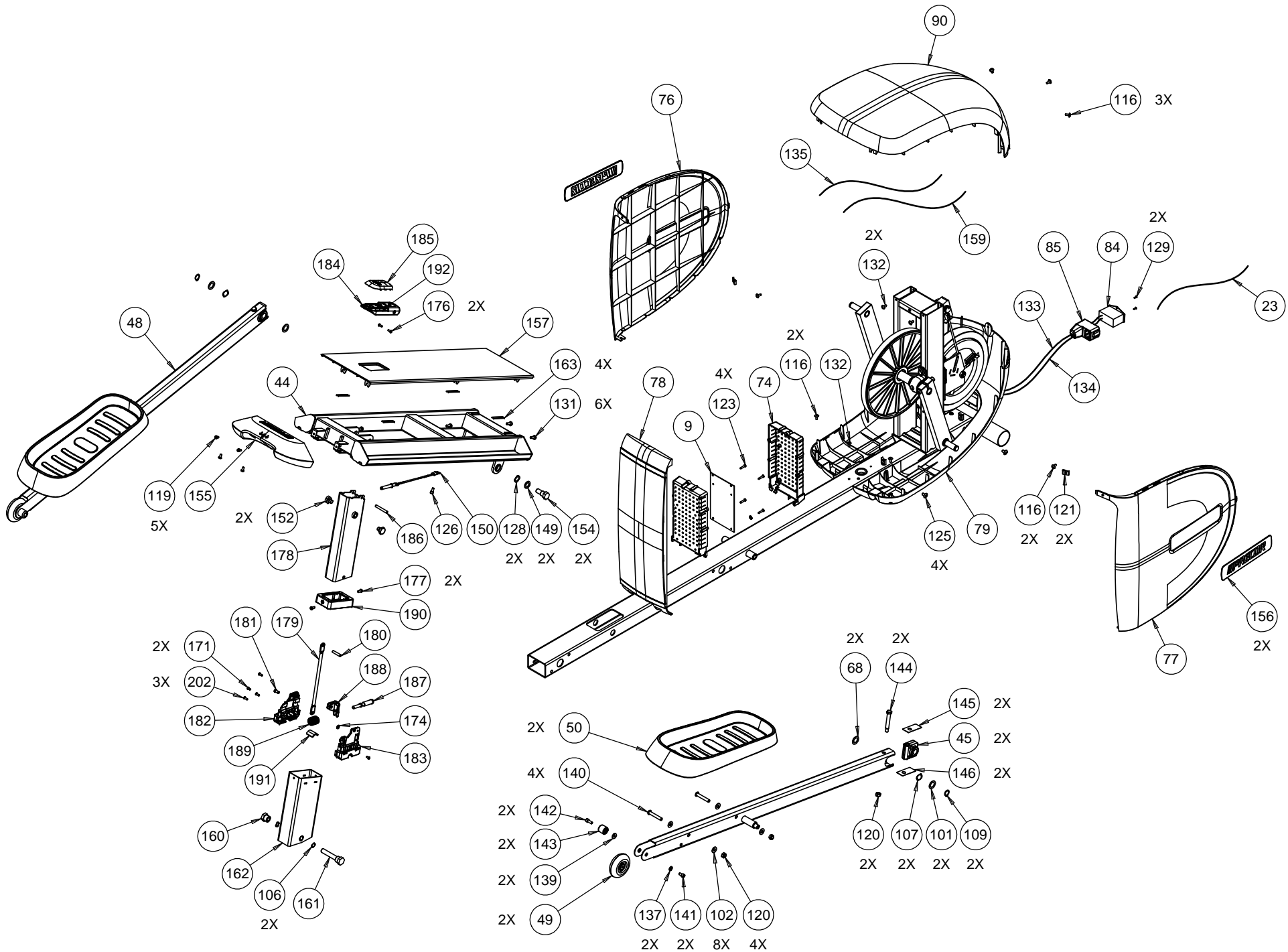
D

C

B

A





D

C

B

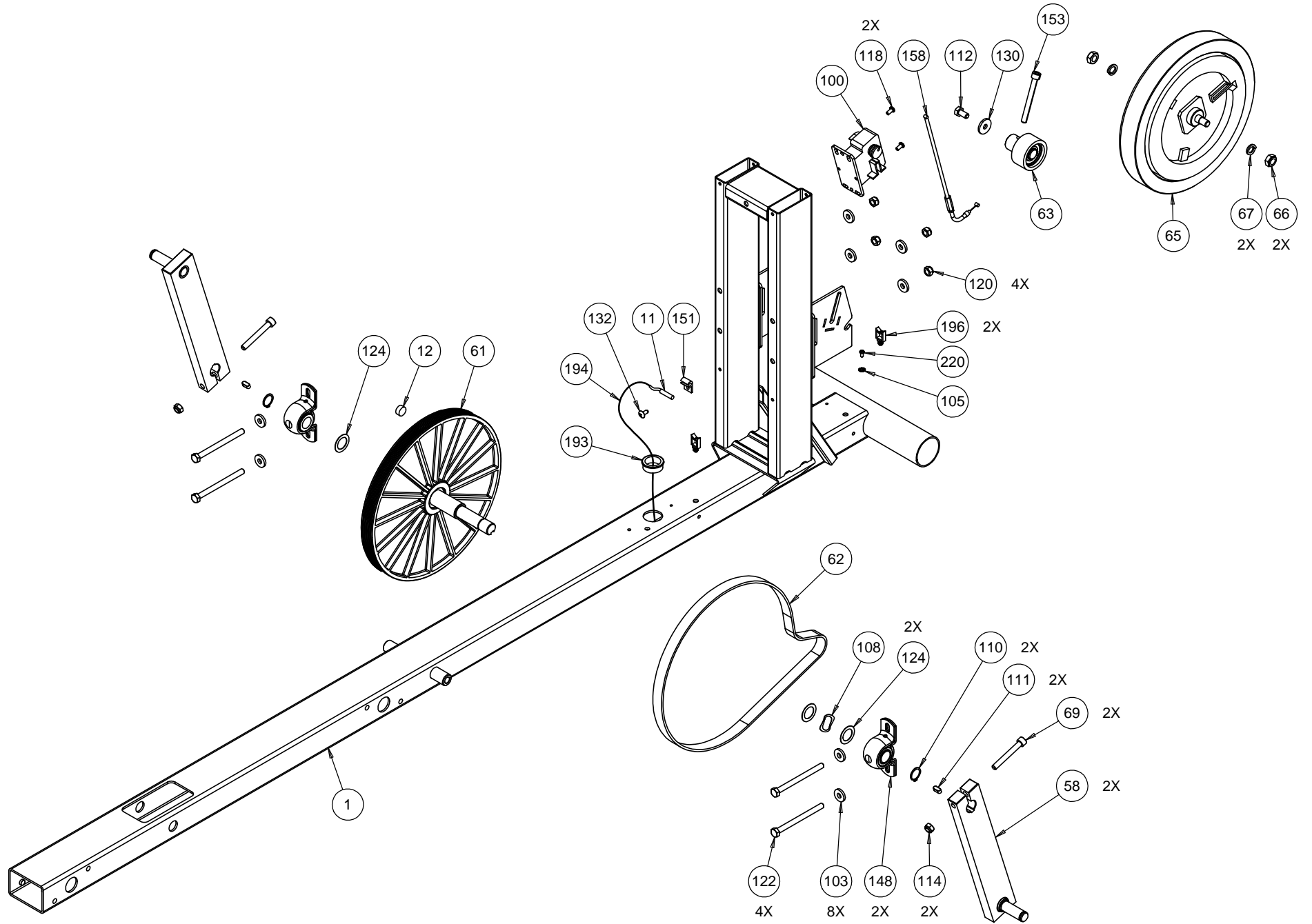
A

4

3

2

1



Bubble #	OEM Part Number	Description
1	PPP000000RX3G01000	BASE FRAME TUBE ASS'Y(REXON P/N 10K
7	PPP000000RX3J66000	WIRE HARNESS MAIN(REXON P/N 10K23J6
9	PPP000000RX3FW8000	CONTROLLER ASS'Y(REXON P/N 10K23FW8
11	PPP000000RX31FW000	REED SWITCH(REXON P/N 10H131FW)
12	PPP000000RX01H5000	MAGNET
21	PPP000000RX3G28000	LEFT LEVER ARM. GRAPHITE(REXON P/N
22	PPP000000RX3G29000	RIGHT LEVER ARM. GRAPHITE(REXON P/N
23	PPP000000RX2Q2V000	POWER CABLE(REXON P/N 10E72Q2V)
29	PPP000000RX2S9Y000	MODULE, DATA CABLE
36	PPP000000RX3FWZ000	WATER BOTTLE HOLDER(REXON P/N 10K23
37	PPP000000RX3G2A000	CONSOLE MAST ASS'Y(REXON P/N 10K23G
42	PPP000000RX3FX4000	FRONT SUPPORT TUBE ASS'Y-R(REXON P/
43	PPP000000RX3FX2000	FRONT SUPPORT TUBE ASS'Y-L(REXON P/
44	PPP000000058228101	CS KIT, RAMP KIT, EFX221/222 (REXO
45	PPP000000RX2WYA000	SHAFT SLEEVE ASS'Y
47	PPP000000RX3FZK000	PEDAL TUBE ASS'Y-L(REXON P/N 10K23F
48	PPP000000RX3FZJ000	PEDAL TUBE ASS'Y-R(REXON P/N 10K23F
49	PPP000000RX30VL000	ROLLING WHEEL ASS'Y(REXON P/N 10H13
50	PPP000000RX3FZT000	PEDAL(REXON P/N 10K23FZT)
54	PPP000000RX3G27000	LINKGE ASS'Y(REXON P/N 10K23G27)
58	PPP000000RX30V6000	CRANK ASS'Y(REXON P/N 10H130V6)
61	PPP000000RX30VK000	PULLEY ASS'Y(REXON P/N 10H130VK)
62	PPP000000RX2JTH000	DRIVE BELT, POLY-V BELT
63	PPP000000RX30VJ000	IDLER WHEEL ASS'Y(REXON P/N 10H130V
65	PPP000000RX31GW000	MAGNETIC BRAKE ASS'Y(REXON P/N 10H1
66	PPP000000RX21BB000	NUT
67	PPP000000RX0J9D000	SPRING WASHER(REXON P/N 2502AZC416)
68	PPP000000RX0J5W000	FLAT WASHER(REXON P/N 2501MNN340)
69	PPP000000RX32GH000	HEX. SOC. HD. CAP BOLT(REXON P/N 26
70	PPP000000RX34FW000	HEX. SOC. TRUSS HD. SCREW(REXON P/N
71	PPP000000RX3FZS000	BEARING COVER(REXON P/N 10K23FZS)

74	PPP000000RX3FXJ000	COVER(REXON P/N 10K23FXJ)
76	PPP000000RX3G09000	SIDE COVER-RIGHT(REXON P/N 10K23G09)
77	PPP000000RX3FZZ000	SIDE COVER-LEFT(REXON P/N 10K23FZZ)
78	PPP000000RX3G00000	FRONT HOUSING(REXON P/N 10K23G00)
79	PPP000000RX3G26000	CASE BOTTOM ASS'Y (REXON P/N 10K23G)
84	PPP000000RX32J3000	AC SOCKET ASS`Y(REXON P/N 10H132J3)
85	PPP000000RX3H8R000	WIRE PROTECTION SLEEVE(REXON P/N 10)
86	PPP000000RX26LH000	LEVELING PAD(REXON P/N 10B826LH)
90	PPP000000RX3FZX000	COVER(REXON P/N 10K23FZX)
100	PPP000000RX01HL000	D.C MOTOR ASS'Y(REXON P/N 1A503003A)
101	PPP000000RX0J52000	FLAT WASHER(REXON P/N 2501MBDN47)
102	PPP000000RX0J5G000	FLAT WASHER,8 X 18 X 1.5, STEEL, E-
103	PPP000000RX0J7B000	FLAT WASHER(REXON P/N 2501NBDN22)
105	PPP000000RX0JAE000	EXTERNAL TOOTH LOCK WASHER
105	PPP000000RX0JAF000	EXTERNAL TOOTH LOCK WASHER(REXON P/
106	PPP000000RX0JB2000	WAVE WASHER(REXON P/N 2506MBN612)
107	PPP000000RX0JB4000	WAVE WASHER(REXON P/N 2506MBN616)
109	PPP000000RX0JED000	C-RING(REXON P/N 2570BBN116)
110	PPP000000RX0JFP000	C-RING(REXON P/N 2570HBN120)
111	PPP000000RX0JGD000	PARALLEL KEY(REXON P/N 2571MNC319)
112	PPP000000RX0JP4000	HEX. HD. BOLT(REXON P/N 2601BBDAA9)
113	PPP000000RX0JRA000	HEX. HD. BOLT(REXON P/N 2601BZDA55)
114	PPP000000RX0KQZ000	NUT(REXON P/N 2705FBD110)
115	PPP000000RX3HFT000	HEX. SOC. TRUSS HD. SCREW(REXON P/N
116	PPP000000RX0K99000	CR. RE. TRUSS HD. TAPPING SCREW
117	PPP000000RX0KR4000	LOCK NUT(REXON P/N 2705FZD108)
118	PPP000000RX0KAE000	CR.RE. PAN HD. TAPPING SCREW
119	PPP000000RX0KAP000	CR.RE. PAN HD. TAPPING SCREW
120	PPP000000RX0KQY000	LOCK NUT
121	PPP000000RX0KRK000	U-TYPE NUT
122	PPP000000RX0WRG000	HEX. HD. BOLT

123	PPP000000RX0KAL000	CR.RE. PAN HD. TAPPING SCREW(REXON
124	PPP000000RX1568000	FLAT WASHER
125	PPP000000RX22R9000	CR.-RE. TRUSS HD. SCREW
126	PPP000000RX22XT000	HEX.SOCKET HD.CAP SCREWS
129	PPP000000RX2ENV000	CR. RE.COUNT HD. TAPPING SCREW
130	PPP000000RX2JS2000	FLAT WASHER
131	PPP000000RX0KCX000	PAN HD PLAIN WASHER SELF TAPPING SC
132	PPP000000RX2PHA000	CR. RE. TRUSS HD. TAPPING SCREW
133	PPP000000RX32GW000	WIRE HARNESS MAIN(REXON P/N 10H132G
134	PPP000000RX2R2Z000	GND WIRE(REXON P/N 10E92R2Z)
135	PPP000000RX2RKD000	GND WIRE(REXON P/N 10E92RKD)
137	PPP000000RX0J4E000	FLAT WASHER
139	PPP000000RX0J74000	FLAT WASHER
140	PPP000000RX21RE000	HEX. SOC. TRUSS HD. SCREW
141	PPP000000RX2NAN000	HEX. SOC. HD. CAP BOLT
142	PPP000000RX2RYF000	HEX. SOC. HD. CAP BOLT
143	PPP000000RX3TWY000	ANCHOR BLOCK(REXON P/N 10H13TWY)
144	PPP000000RX2SEW000	SPECIAL BOLT(REXON P/N 10E92SEW)
145	PPP000000RX2UVP000	BUMPER,BLACK (REXON P/N 10E92UVP)
150	PPP000000RX2SQ0000	LATCH(REXON P/N 10E92SQ0)
151	PPP000000RX2UJ3000	REED SWITCH BRACKET(REXON P/N 10F62
152	PPP000000RX2ULS000	CLAMP BOLT
153	PPP000000RX2YQ3000	HEX. SOC. HD. CAP BOLT(REXON P/N 26
154	PPP000000RX30WG000	SPECIAL BOLT(REXON P/N 10H130WG)
155	PPP000000RX3G06000	FRONT HOUSING(REXON P/N 10K23G06)
156	PPP000000RX3HNL000	TRADE-MARK LABEL(REAR)(REXON P/N 10
157	PPP000000RX3G07000	RACK BLADE GUARD(REXON P/N 10K23G07
158	PPP000000RX31FU000	BRAKE LEADWIRE(REXON P/N 10H131FU)
159	PPP000000RX31FV000	LEAD WIRE ASS'Y(REXON P/N 10H131FV)
160	PPP000000RX31HQ000	SPECIAL NUT(REXON P/N 10H131HQ)
161	PPP000000RX31HR000	SPECIAL BOLT(REXON P/N 10H131HR)

162	PPP000000RX3G03000	SUPPORTING TUBE ASS'Y(REXON P/N 10K
163	PPP000000RX32EF000	FOAM(REXON P/N 10H132EF)
164	PPP000000RX3B4S000	BHCS, 1/4-20UNC X 3/4
166	PPP000000RX3FX1000	END CAP(REXON P/N 10K23FX1)
167	PPP000000RX3FX0000	END CAP(REXON P/N 10K23FX0)
168	PPP000000RX2SJV000	END CAP(REXON P/N 10E92SJV)
171	PPP000000RX0KAK000	CR.RE. PAN HD. TAPPING SCREW
174	PPP000000RX0JEU000	E-RING
176	PPP000000RX0KD7000	CR. RE. PAN HD. SCREW
177	PPP000000RX0KAE000	CR.RE. PAN HD. TAPPING SCREW
178	PPP000000RX3G02000	CONNECTOR ASS'Y(REXON P/N 10K23G02)
179	PPP000000RX31HC000	LINK BAR
180	PPP000000RX31HD000	BOTTOM BRACKET CARTRIDGE
181	PPP000000RX31HE000	BOTTOM BRACKET CARTRIDGE
182	PPP000000RX31HF000	PIVOT-SUPPORT(R)
183	PPP000000RX31HG000	PIVOT-SUPPORT(L)
184	PPP000000RX3G05000	TENSION HANDLE(REXON P/N 10K23G05)
185	PPP000000RX3G04000	END CAPS(REXON P/N 10K23G04)
186	PPP000000RX2SJV000	END CAP(REXON P/N 10E92SJV)
186	PPP000000RX31HK000	SHAFT-PIVOT
187	PPP000000RX31HL000	LOCATING BAR
188	PPP000000RX31HM000	PIVOT-SUPPORT
189	PPP000000RX31HN000	COMPRESSION SPRING
190	PPP000000RX31HP000	BUSH
191	PPP000000RX31M4000	BUMPER
192	PPP000000RX31QA000	WARNING STICK LABEL(REXON P/N 10H13
193	PPP000000RX21BF000	STRAIN RELIEF
194	PPP000000RX2R2W000	ASSY,CBL,COUPLER-UPCA
195	PPP000000RX2RJP000	EARTH LABEL(REXON P/N 10E92RJP)
196	PPP000000RX2SDE000	CORD CLAMP
197	PPP000000RX31KA000	END CAP(REXON P/N 10H131KA)

199	PPP000000RX0KNM000	HEX. NUT
200	PPP000000RX3G2U000	HARDWARE BAG ASS'Y(REXON P/N 10K23G
201	PPP000000RX3HYF000	HARDWARE BAG ASS'Y(REXON P/N 10K23H
202	PPP000000RX2RYK000	CR. RE. PAN HD. TAPPING SCREW
204	PPP000000RX2872000	CBL,1C,18AWG,#10 RING/187X032 QD RE
206	PPP000000RX3AZ6000	CR. RE. PAN HD. SCREW, M5*0.8-25,(R
210	PPP000000RX3541000	CR.RE. PAN HD. TAPPING SCREW(REXON
211	PPP000000RX2SJV000	END CAP(REXON P/N 10E92SJV)
212	PPP000000RX2RPU000	NEUTRAL LABEL(REXON P/N 10E92RPU)
214	PPP000000RX0JEE000	C-RING
214	PPP000000RX3GEV000	REGULATORY LABEL(REXON P/N 10K23GEV
215	PPP000000RXY40N000	FLAT WASHER(REXON P/N 2501MED047)
216	PPP000000RX01FE000	STICKER(REXON P/N 1A409701)
218	PPP000000RX2T03000	HEX. HD. BOLT(REXON P/N 26012T03)
220	PPP000000RX0KBP000	CR.RE. PAN HD. TAPPING SCREW
250	PPP000000012223250	FUSE,TIME-DELAY,2.5A,250V,5X20MM
251	PPP000000RX3FZW000	END CAP(REXON P/N 10K23FZW)
252	PPP000000RX2MPQ000	FLAT WASHER
253	PPP000000RX2N7U000	HEX. SOC. TRUSS HD. SCREW
254	PPP000000RX3FZV000	END CAPS(REXON P/N 10K23FZV)
255	PPP000000RX3FZU000	END CAPS(REXON P/N 10K23FZU)
256	PPP000000RX32FF000	CR. RE. PAN HD. TAPPING SCREW
257	PPP000000RX2RBU000	LINK SHAFT(REXON P/N 10E92RBU)